



Features:

- ▶ Max. efficiency: 96.43%, MPPT efficiency: 99.94%
- ▶ Low startup voltage “65V”
- ▶ Built-in zero export device
- ▶ Anti-islanding protection
- ▶ IP65 protection
- ▶ Wide MPPT range
- ▶ In-house remote monitoring application “SELEC CREST”

Certification: BIS | BEE | IEC

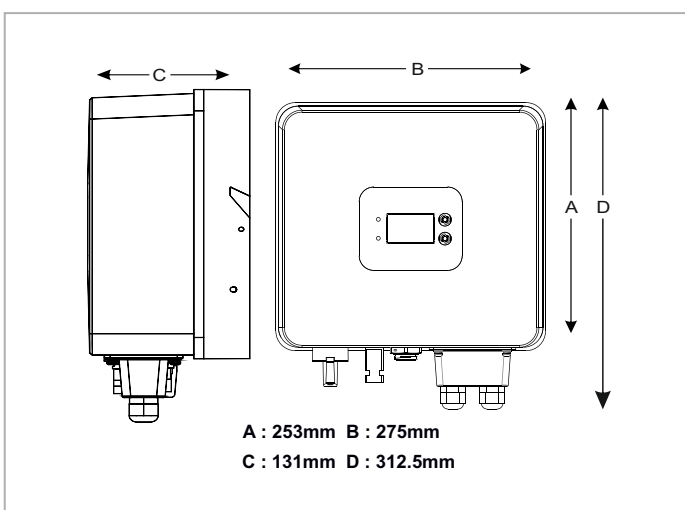


Technical specifications

Main	
Product name	GTI
Product or component type	Grid tie inverter
Input specification	
DC input (PV Side)	
Nominal DC input power	1500W
Max. allowable PV power	2100W
Nominal PV voltage	360V DC
Max. DC input voltage	550V DC
Startup voltage	65V DC
Operating range	65-550V DC
MPPT voltage range	65-550V DC
Max input current per MPPT	17A
No. of MPP trackers	1
Max. Input strings number	1
Max. PV short circuit current per MPPT (ISC)	20A
Output specifications	
AC output (grid side)	
Rated output power	1500W
Max. output power	1500W
Nominal AC current, RMS	6.3A
Max. output current	7.1A
Grid voltage range	180-280
Grid frequency range	50/60 Hz (45-55 Hz / 55-65 Hz)
Power factor (at rated output power)	~1 (adjustable from 0.8 leading... 0.8 lagging)
Total harmonic distortion [THDi]	<3% at rated
Load feed-in phase / connection phase	Single phase
Interface	
DC connection	MC4 connectors
Display	LCD with LED indication
Datalogger & Communication	RS485 / WiFi* / GSM* (optional)
Efficiency	
Maximum efficiency (%)	96.43
MPPT efficiency (%)	99.94
Euro efficiency (%)	94.90

Protection functions	
DC reverse polarity protection	Yes
Short circuit protection	Yes
Over current protection	Yes
Over voltage / Under voltage protection	Yes
Over frequency / Under frequency	Yes
Insulation resistance monitoring	Yes
Over voltage / Under voltage	Yes
Residual current detection	Yes
Surge protection	Yes
Islanding protection	Yes
Temperature protection	Yes
Integrated DC switch	Yes
Integrated AFCI (DC arc-fault circuit protection)	Optional
General data	
Topology	Transformerless
Consumption @ night	<0.5W
Operating temperature range	-25 to 60 °C
Cooling method	Natural
Relative humidity	0 to 100% non condensing
Max. operational altitude	4000m
Noise	<25 dBA
Designed lifetime	>20 years
Warranty	10 years
Ingress protection	IP65
Dimensions (W*H*D)	275*313*131 mm
Net weight	5.2 kg
Mechanical integration	Wall mountable
Certifications	
Safety	IS 16169: 2014 / IEC 62116, IS 16221 (part 2): 2015 / IEC 62109-2: 2011
Environmental	IEC 60068-2-1, 2, 6 ,14, 21, 27, 30, 75 & 78, IEC 60529
Electrical	IEC 61727, IEC 61683, IEC 62891, IEC 61000

Dimensions (All are in mm)



Ordering information

Product code	Certification
GTI001WLM1PW2	Grid tie inverter - 1 phase / 1.5kW, wall mounted with WiFi module - 17A

